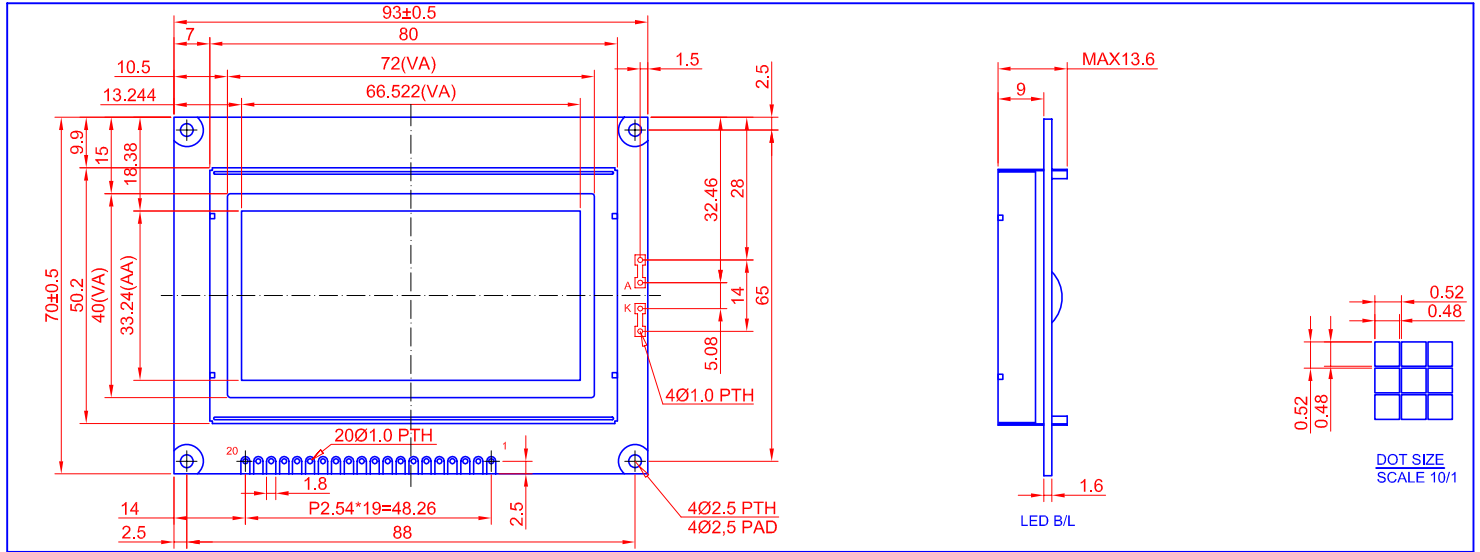
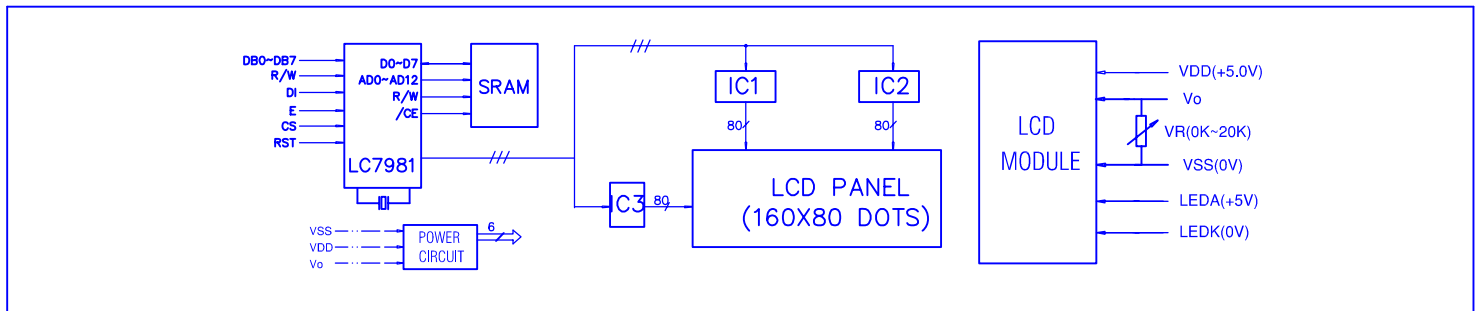


1.0 DIMENSIONAL DRAWING



2.0 BLOCK DIAGRAM & POWER SUPPLY



3.0 MECHANICAL SPECIFICATIONS & FEATURE

Item	Nominal dimensions (mm)	FEATURE	
		LCD Type	STN
Module Size (W*H*T)	93.0 x 70.0 x 13.6	LCD Colour	Yellow Green
View Area (W*H)	72.0 x 40.0	View Angle	6 O'clock
Dot x Dots (W*H)	160 x 80	Display Type	Positive Type
Dot Pitch (W*H)	0.52 x 0.52	Rear polarizer	Transflective
Dot Size (W*H)	0.48 x 0.48	Operating Temperature	-20°C ~ 70°C
		Storage Temperature	-30°C ~ 80°C
		Backlight	Yellow Green

4.0 ELECTRICAL CHARACTERISTICS

Item	Symbol	Test Condition	Min.	Typ.	Max.	Unit
Operating Voltage	Vdd	Ta=25°C	---	5.0	---	V
Operating Voltage for LCD	Vlcd	Ta=25°C	---	13.5	---	V
Supply Current	Idd	Ta=25°C, Vdd=5.0V	---	6.0	---	mA
Supply Current for Backlight	If	Ta=25°C, Vf=4.2V	---	330.0	---	mA

5.0 INTERFACE PIN CONNECTIONS

Pin No	Symbol	Level	Description
1	VSS	--	Ground for Logic
2	VDD	--	Power supply for Logic(+5.0V)
3	V0	--	Power supply for LCD drive
4	D/I	H/L	Register Select Signal
5	R/W	H/L	Read/Write Signal
6	E	H->L	Enable Signal
7-14	DB0-DB7	H/L	Data Bus lines
15	CS	L	Chip enable
16	DISOFF	L	Display OFF Signal
17	RST	H	Reset Signal
18	VEE	--	Negative Voltage Output
19	LED+	--	Supply power for LED backlight
20	LED-	--	Supply power for LED backlight