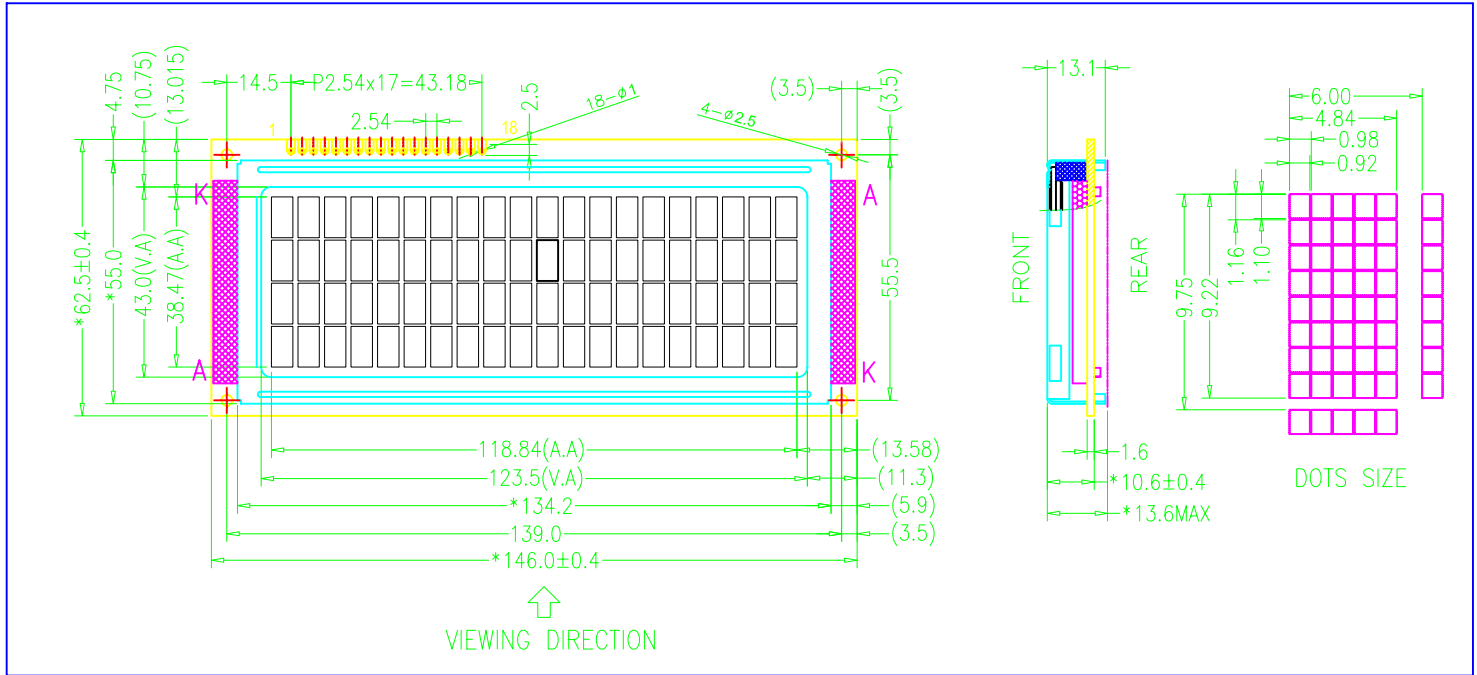
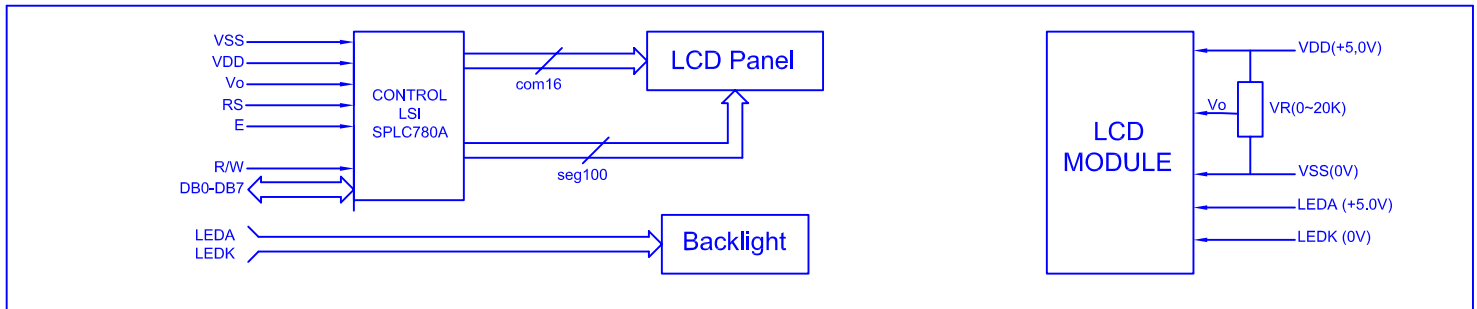


## 1.0 DIMENSIONAL DRAWING



## 2.0 BLOCK DIAGRAM & POWER SUPPLY



## 3.0 MECHANICAL SPECIFICATIONS & FEATURE

Item	Nominal dimensions (mm)	FEATURE	
		LCD Type	STN
Module Size (W*H*T)	146.0x62.5x13.6	LCD Colour	Yellow Green
View Area (W*H)	123.0x43.0	View Angle	6 O'clock
Character Pitch (W*H)	6.0x9.75	Display Type	Positive Type
Character Size (W*H)	4.84x9.22	Rear polarizer	Transmissive
Character Font	5x8	Operating Temperature	-20°C ~ +70°C
Dot Pitch (W*H)	1.16x0.98	Storage Temperature	-30°C ~ +80°C
Dot Size (W*H)	1.10x0.92	Backlight	Side LED Yellow Green

## 4.0 ELECTRICAL CHARACTERISTICS

Item	Symbol	Test Condition	Min.	Typ.	Max.	Unit
Operating Voltage	Vdd	Ta=25°C	---	5.0	---	V
Operating Voltage for LCD	Vlcd	Ta=25°C	---	4.5	---	V
Supply Current	Idd	Ta=25°C, Vdd=5.0V	---	2.0	3.0	mA
Supply Current for Backlight	If	Ta=25°C, Vf=4.2V	---	160	---	mA

## 5.0 INTERFACE PIN CONNECTIONS

Pin No	Symbol	Level	Description
1	VSS	--	GND
2	VDD	--	Power supply for Logic(+5.0V)
3	Vo	--	Power supply for LCD
4	RS	H/L	Register selection (H:Data register, L:Instruction register)
5	R/W	H/L	Read/write selection (H:Read, L:Write)
6	E	H/H - L	Enable signal for chip
7-14	DB0-DB7	H/L	Data Bus line
15	LEDA	--	Power supply for Backlight (+)
16	LEDK	--	Power supply for Backlight (-)
17	NC	--	Not connected
18	NC	--	Not connected