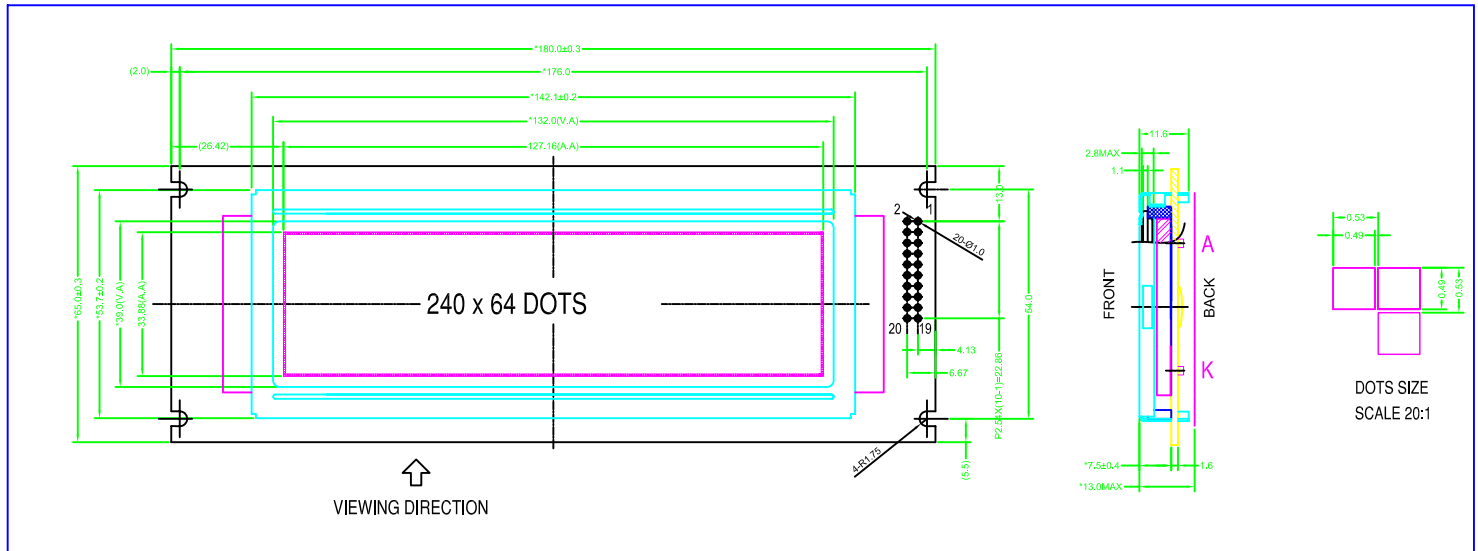
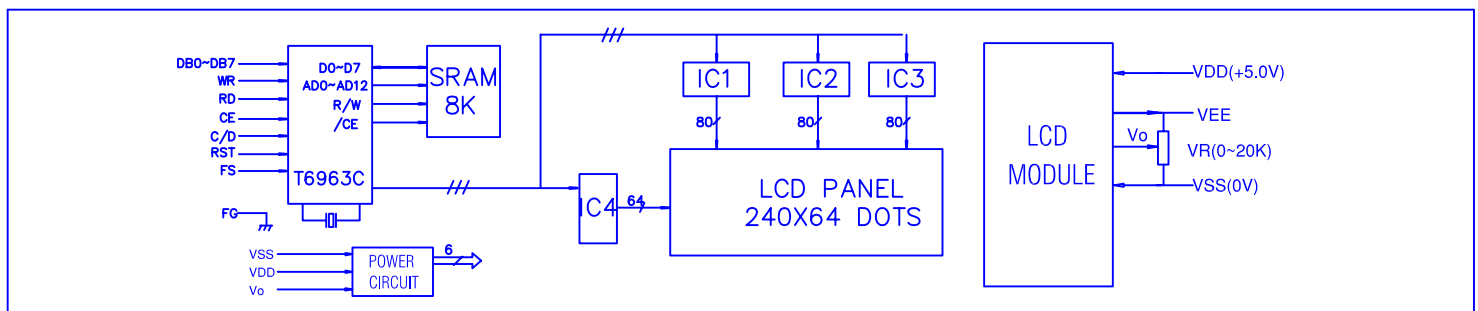


## 1.0 DIMENSIONAL DRAWING



## 2.0 BLOCK DIAGRAM & POWER SUPPLY



## 3.0 MECHANICAL SPECIFICATIONS & FEATURE

Item	Nominal dimensions (mm)	FEATURE	
		LCD Type	STN
Module Size (W*H*T)	180.0 x 65.0 x 11.6	LCD Colour	Blue
View Area (W*H)	132.0 x 39.0	View Angle	6 O'clock
Dot x Dots (W*H)	240 x 64	Display Type	Positive Type
Dot Pitch (W*H)	0.53 x 0.53	Rear polarizer	Transmissive
Dot Size (W*H)	0.49 x 0.49	Operating Temperature	-20°C ~ +70°C
		Storage Temperature	-30°C ~ +80°C
		Backlight	Side LED White

## 4.0 ELECTRICAL CHARACTERISTICS

Item	Symbol	Test Condition	Min.	Typ.	Max.	Unit
Operating Voltage	Vdd	Ta=25°C	---	5.0	---	V
Operating Voltage for LCD	Vlcd	Ta=25°C	---	12.0	---	V
Supply Current	Idd	Ta=25°C, Vdd=5.0V	---	13.8	23.0	mA
Supply Current for Backlight	If	Ta=25°C, Vf=3.1V	---	---	200	mA

## 5.0 INTERFACE PIN CONNECTIONS

Pin No	Symbol	Level	Description
1	FG	--	Frame Ground
2	VSS	--	Ground for logic
3	VDD	--	Power supply for Logic(+5.0V)
4	VO	I	Power supply for LCD drive
5	WR	L	Write Signal
6	RD	L	Read Signal
7	CE	L	Chip Enable Signal
8	C/D	H/L	Data or Instruction Select Signal
9	NC	--	No Connection
10	RST	I	Rest Signal
11-18	DB0-DB7	H/L	Data Line
19	FS	H/L	Font Selection
20	VEE	--	Negative Voltage Output